

Line laser, red, 658 nm, 90 °, 30 mW

LB658-30-230(40x210)
Order Number: 70123357

Main Parameters (*)	min	typ	max	Unit
Wavelength		658		nm
Optical Output Power		30		mW
Operating Voltage	207	230	253	V AC
Operating Current	5	10	15	mA
Operating Temperature	-20		50	°C
Storage Temperature	-40		80	°C

Main Data

Warranty 1 years

Technical Parameters

Lifetime > 10,000 h
RoHS yes

Optical Parameters

Beam Shape	Line
Laser Class	2M
Divergence	B - 0.3 mrad
Fan Angle	90 °
Line Thickness	<3mm@7m
Operating Distance	20 m
Optics	glass lens AR coated
Laser technology	Single Mode Diode
Focus	fixed (7.0m)

Electrical Parameters

Potential of Housing isolated
Connector AC CEE 7/7

Mechanical Parameters

Size	Ø40x210 mm
Material	aluminium
Cable length	1,750 mm
Wire type	H05VV-F
Output Aperture	8 mm
Weight	920 g

(*) Over the complete operating temperature range

Features



- Operating Voltage 230 V AC
- Laser Class 2M
- High Power
- Glas lenses anti reflex coated
- Uniform line thickness

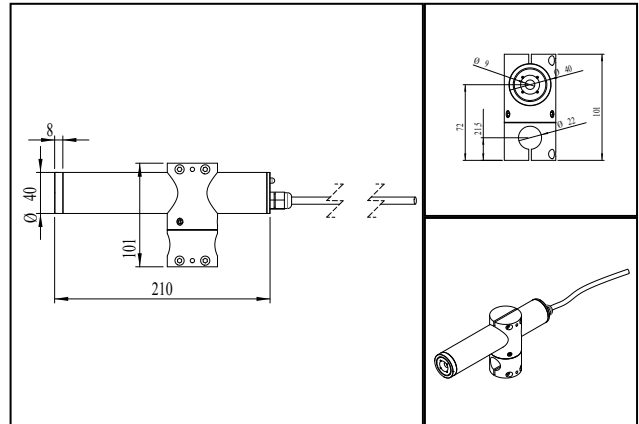
Picture



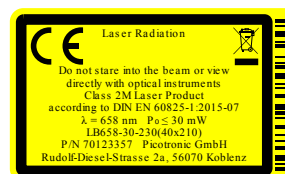
Montageplatte optional
Base Plate not included



Drawing



Safety Label



Valid Revision

| 05-APR-2022